



Accessories


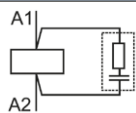
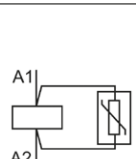
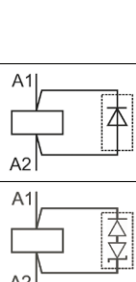
Front mounted auxiliary contact blocks

| Illustrative picture | For use with | Max. n° of additional contacts / contactor | Auxiliary contacts | | Reference | Code | Weight kg | |
|---|-----------------|--|--|-----------------|-------------------------|----------|-----------|-------|
| | | | NO | NC | | | | |
|  | CWB9...125 CAWB | 4 contacts | Auxiliary contact blocks according to IEC/EN 60947 | | | | | 0.063 |
| | | | 1 | 1 | BFB-11 ¹⁾ | 12123053 | | |
| | | | 2 | 0 | BFB-20 | 12122434 | | |
| | | | 0 | 2 | BFB-02 ¹⁾ | 12122946 | | |
| | | | 2 | 2 | BFB-22 ¹⁾ | 12123051 | | |
| | | | 2 ²⁾ | 2 ²⁾ | BFB-22 EL ²⁾ | 12771537 | | |
| | | | 4 | 0 | BFB-40 | 12122947 | | |
| | | | 0 | 4 | BFB-04 ¹⁾ | 12123048 | | |
| | | | 3 | 1 | BFB-31 ¹⁾ | 12123049 | | |
| | | | 1 | 3 | BFB-13 ¹⁾ | 12123052 | | |
| | | | Auxiliary contact blocks according to EN 50012 | | | | | 0.063 |
| | | | 1 | 1 | BFB-11 EN ¹⁾ | 12979242 | | |
| | | | 2 | 0 | BFB-20 EN | 12979240 | | |
| | | | 0 | 2 | BFB-02 EN ¹⁾ | 12979241 | | |
| | | | 2 | 2 | BFB-22 EN ¹⁾ | 12979246 | | |
| | | | 4 | 0 | BFB-40 EN | 12979243 | | |
| | | | 0 | 4 | BFB-04 EN ¹⁾ | 12979244 | | |
| | | | 3 | 1 | BFB-31 EN ¹⁾ | 12979245 | | |
| | | | 1 | 3 | BFB-13 EN ¹⁾ | 12979247 | | |

Side mounted auxiliary contact block

| Illustrative picture | For use with | Max. n° of additional contacts / contactor | Auxiliary contacts | | Reference | Code | Weight kg |
|---|-----------------|--|--------------------|----|-------------------------|----------|-----------|
| | | | NO | NC | | | |
|  | CWB9...125 CAWB | 4 contacts ⁴⁾ | 1 | 1 | BLB-11 ¹⁾ | 12187899 | 0.034 |
| | | | 2 | 0 | BLB-20 | 12187334 | |
| | | | 0 | 2 | BLB-02 ¹⁾ | 12187898 | |
| | | | 1 | 1 | BLRB-11 ¹⁾³⁾ | 12230321 | |
| | | | 2 | 0 | BLRB-20 ³⁾ | 12230319 | |
| | | | 0 | 2 | BLRB-02 ¹⁾³⁾ | 12230320 | |

Plug-in surge suppressors

| Illustrative picture | For use with | Voltage | Diagram | Reference | Code | Weight kg |
|---|-----------------|--------------------------------------|---|-----------------------|----------|-----------|
|  | CWB9...110 CAWB | 24...48 V 50/60 Hz |  | RCBD53 | 12242511 | 0.008 |
| | | 50...127 V 50/60 Hz | | RCBD55 | 12242512 | |
| | | 130...250 V 50/60 Hz | | RCBD63 | 12242513 | |
| | | 12...48 V 50/60 Hz / 12...60 Vdc |  | VRBE49 | 12242514 | |
| | | 50...127 V 50/60 Hz / 60...180 Vdc | | VRBE34 | 12242515 | |
| | | 130...250 V 50/60 Hz / 180...300 Vdc | | VRBE50 | 12242516 | |
| | | 277...380 V 50/60 Hz / 300...510 Vdc | | VRBE41 | 12242517 | |
| | | 400...510 V 50/60 Hz | | VRBD73 | 12242558 | |
| | | 12...600 Vdc |  | DIBC33 ⁵⁾ | 12242560 | |
| | | 12...250 Vdc | | DIZBC26 ⁶⁾ | 12242561 | |

Notes: 1) They comply with the requirements of IEC/EN 60947-4-1 about mirror contacts and the requirements of IEC/EN 60947-5-1 about mechanically linked contacts.

2) It contains 1 early-make normally open contact, 1 late-break normally closed contact, 1 normally open contact and 1 normally closed contact.

3) For side mounting of two side-auxiliary contact blocks on the same contactor side.

4) CWB contactors allow a maximum of 8 auxiliary contacts (4 blocks) as long as there are 2 blocks on each side of the product.

5) Contactors assembled with surge suppressor DIB will increase in 6 times the opening time. Do not use in with BFB or BLB auxiliary contact blocks which contain NC contacts.

6) Contactors assembled with surge suppressor DIZB will increase in 4 times the opening time.