



## PRODUCT DATA SHEET



**PART NUMBER – LC1D3210:** Aftermarket direct replacement contactors for Telemecanique LC1D3210, TeSys D Series, type LC1D, 3P, 3PH, 50A, 600V, voltage max 20 hp, 1 N/O auxiliary contact, AC magnetic contactor, suitable for use with LC1-D series motor control systems.

### PRODUCT SPECIFICATIONS

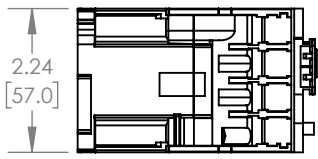
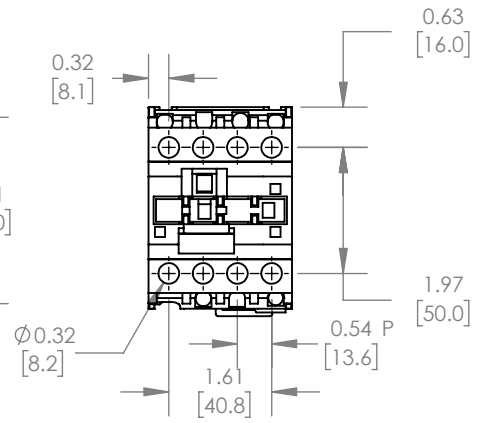
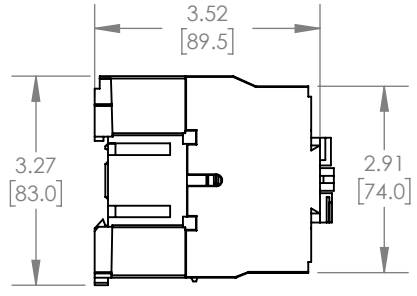
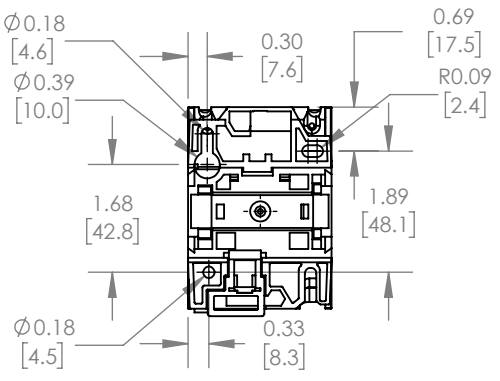
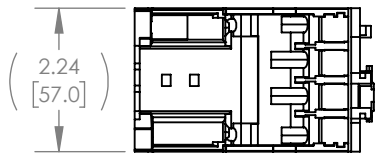
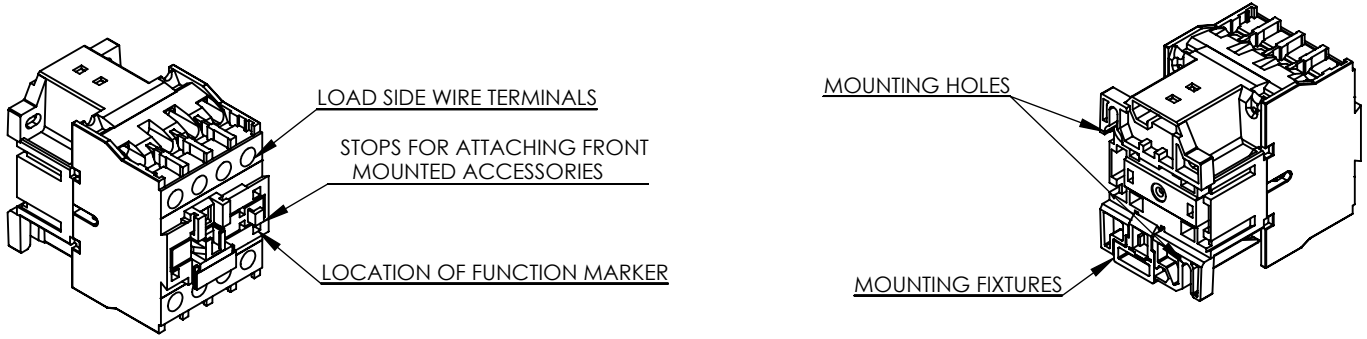
#### CONTACTORS

##### Voltage Selection Chart LC1D3210-XX

LC1D3210	110/120VAC
B6	24VAC
B7	24VAC
E7	48VAC
G6	110/120VAC
G7	110/120VAC
LE7	208V AC
M6	220V AC
M7	220V AC
P7	230VAC
Q6	380VAC
Q7	380VAC
R7	440VAC
T6	480VAC
U6	240VAC
U7	240VAC
V7	400VAC

Manufacturer	GLORY
Sub-Category	Contactors
Family	TeSys D
Type	LC1D
Phase	3
Poles	3
Voltage	600
Amperage	50
Coil Voltage Max	20 (HP)

REVISIONS				
ZONE	DESCRIPTION	REV.	DATE	APPROVED



**\*NOTE: BRAH ELECTRIC CONTACTOR LC1D3210 IS AN AFTERMARKET DIRECT REPLACEMENT FOR LC1D3210,SERIES.SUITABLE FOR USE WITH LC1-DSERIES MOTOR CONTROL SYSTEMS.**

<p>THIRD ANGLE PROJECTION</p>	<p>UNLESS OTHERWISE NOTED</p> <p>ALL DIMENSIONS ARE IN INCHES METRIC UNITS ARE DISPLAYED BENEATH IN [ MM. ]</p>	<p><b>MAGNETIC CONTACTOR</b></p>		
	<p><b>PROPRIETARY AND CONFIDENTIAL</b></p> <p>THE INFORMATION CONTAINED IN THIS DRAWING IS THE SOLE PROPERTY OF BRAH ELECTRIC. ANY REPRODUCTION IN PART OR AS A WHOLE WITHOUT THE WRITTEN PERMISSION OF BRAH ELECTRIC IS PROHIBITED.</p>			<p>MATERIAL <b>MOLDED PLASTIC CASE</b></p> <p>FINISH <b>N/A</b></p> <p>DO NOT SCALE DRAWING</p>
		<p>SCALE:1:3</p>	<p>WEIGHT: 3.2 LBS</p>	<p>SHEET 1 OF 1</p>