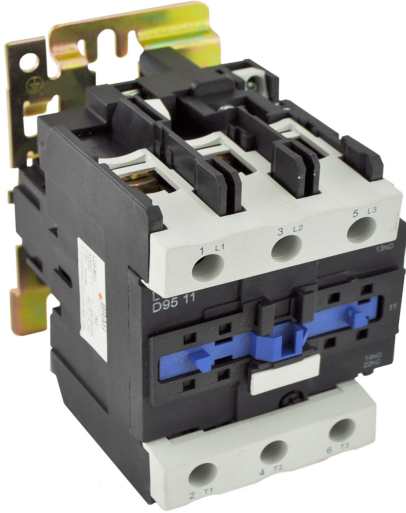




## PRODUCT DATA SHEET



**PART NUMBER – LC1D9511:** Aftermarket direct replacement contactors for Telemecanique LC1D9511, TeSys D Series, type LC1D, 3P, 3PH, 125A, 600V, voltage max 60 hp, 1 N/O - 1 N/C auxiliary contact, AC magnetic contactor, suitable for use with LC1-D series motor control systems.

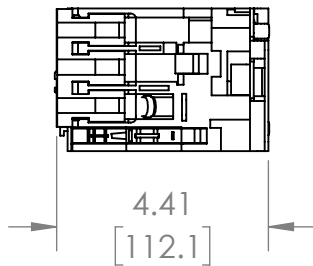
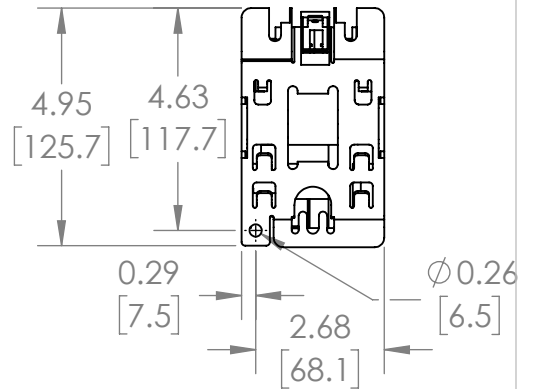
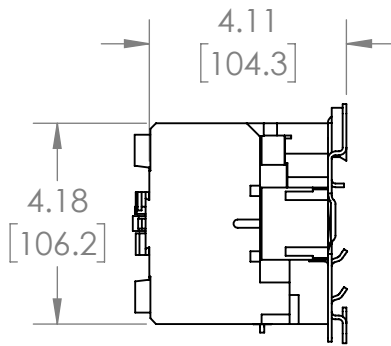
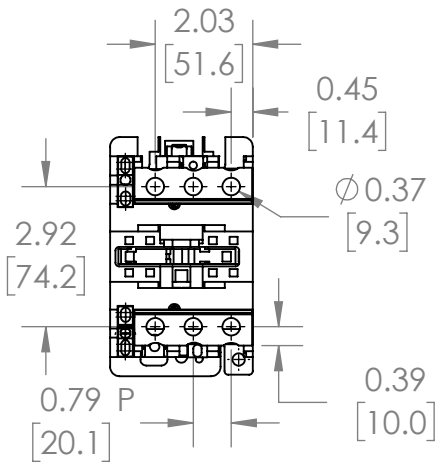
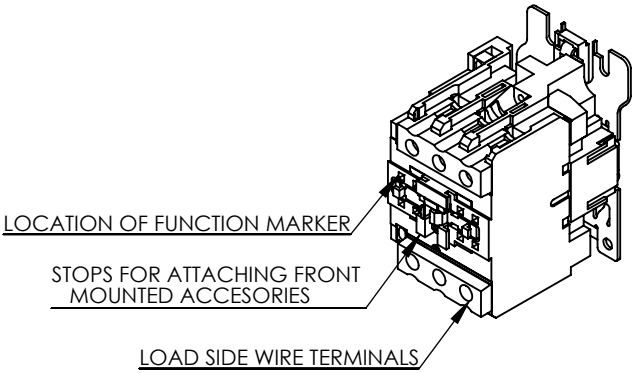
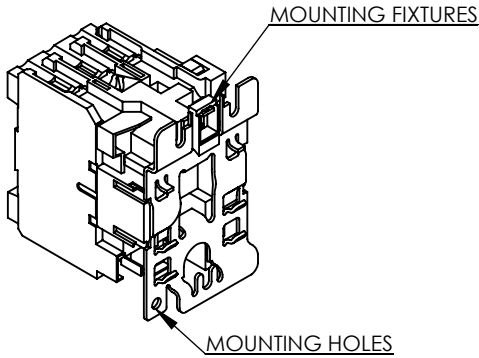
### PRODUCT SPECIFICATIONS

**CONTACTORS**  
**Voltage Selection Chart**  
**LC1D9511-XX**

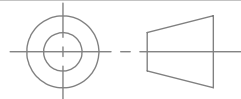
LC1D9511	110/120VAC
B6	24VAC
B7	24VAC
E7	48VAC
G6	110/120VAC
G7	110/120VAC
LE7	208V AC
M6	220V AC
M7	220V AC
P7	230VAC
Q6	380VAC
Q7	380VAC
R7	440VAC
T6	480VAC
U6	240VAC
U7	240VAC
V7	400VAC

Manufacturer	GLORY
Sub-Category	Contactors
Family	TeSys D
Type	LC1D
Phase	3
Poles	3
Voltage	600
Amperage	125
Coil Voltage Max	60 (HP)

REVISIONS				
ZONE	REV.	DESCRIPTION	DATE	APPROVED



\*NOTE: BRAH ELECTRIC CONTACTOR LC1D9511 IS AN AFTERMARKET DIRECT REPLACEMENT FOR LC1D9511, LC1-D SERIES. SUITABLE FOR USE WITH LC1-D SERIES MOTOR CONTROL SYSTEMS



**PROPRIETARY AND CONFIDENTIAL**  
THE INFORMATION CONTAINED IN THIS DRAWING IS THE SOLE PROPERTY OF BRAH ELECTRIC. ANY REPRODUCTION IN PART OR AS A WHOLE WITHOUT THE WRITTEN PERMISSION OF BRAH ELECTRIC IS PROHIBITED.

UNLESS OTHERWISE NOTED  
ALL DIMENSIONS ARE IN INCHES  
METRIC UNITS ARE DISPLAYED  
BENEATH IN [ MM. ]

MATERIAL  
MOLDED PLASTIC CASE

FINISH  
N/A

DO NOT SCALE DRAWING

MAGNETIC CONTACTOR

SIZE <b>A</b>	DWG. NO. LC1D9511	REV. <b>A</b>
SCALE: 1:4	WEIGHT: 3.2 LBS	SHEET 1 OF 1