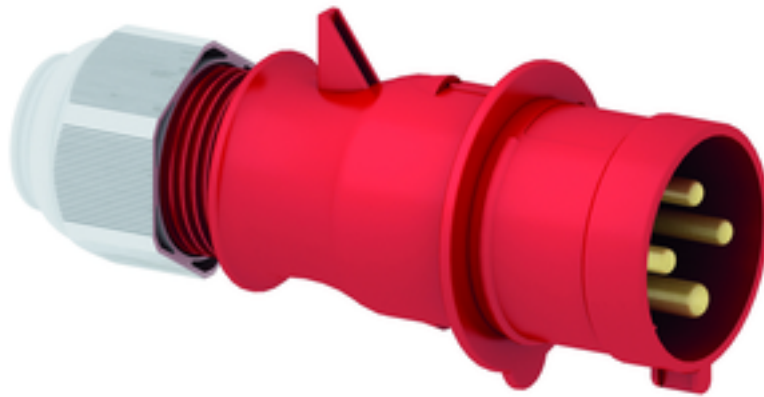


plug - with screw terminals one piece housing



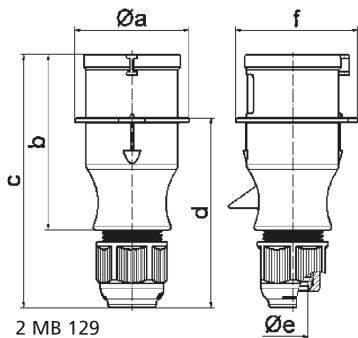
Product description	
BALS-Prd.-Nr	21017-TLS
EAN	4024941192392
Product category	TLS plug with Multi-Grip cable gland
Current	32A
Number of poles	4p
Arrangement of phases	3P+PE
Position of earth contact	6 h
Voltage	380 - 415V~
Frequency	50/60Hz

Product description	
Protection degree	IP44
Colour code	red RAL 3000
Colour of appliance	Enclosure red RAL 3000, Cable gland grey RAL 7035
Connection design	with screw terminal
Maximum conductor size	6,0 qmm
Cable entry	with cable gland
Height	167mm
Width	71mm
Depth	81mm
Material of enclosure	Polyamide
Contacts	The contact carrier is made of polyamide, The contacts are brass

Additional technical information	
	Multi-Grip cable gland with gasket and integrated strain relief, one piece housing, For cable diameter from 11 up to max. 23,5 mm

Logistics data	
Weight/pcs	0.218 kg / Piece
Packaging	Bag
Content amount	1 ST
EAN	4024941192392
Length	81 mm

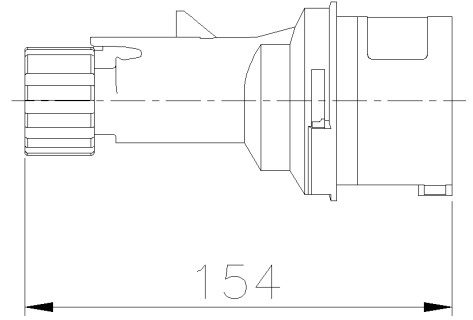
Logistics data	
Width	71 mm
Height	167 mm
Weight	0.219 kg
Volume	960.417 ccm
Packaging	Carton
Content amount	10 ST
EAN	4024941841603
Length	245 mm
Width	177 mm
Height	185 mm
Weight	2.313 kg
Volume	7,140 ccm



Ampere	16	16	16	32	32	32
Polzahl	3	4	5	3	4	5
a ø	54,0	60,0	66,0	71,0	71,0	80,0
b	94,5	98,0	101,0	115,0	115,0	119,0
c	138,0	142,0	145,0	170,0	170,0	174,0
d	101,5	105,5	108,5	124,0	124,0	128,0
e ø	18,0	18,0	18,0	23,0	23,0	23,0
f	56,6	64,0	71,0	76,0	76,0	85,0
Leiter mm ² min	1	1	1	2,5	2,5	2,5
Leiter mm ² max	2,5	2,5	2,5	6	6	6



**SERIES MULTIMAX
PLUG**
CODE 700236



Datasheet

Electrical characteristics

Rated current	32A
Supply Voltage	400V 50/60Hz ●
Poles	3P+ \perp
Clock Position	6h
Rated insulation voltage	690 V
Signal plug inserted	-

Reference Standards and Directives

Certification and approval marks	NYCE COLOMBIA, UKCA, IMQ, CB IMQ, CE
Directives	2011/65/EU (RoHS), 2012/19/EU (WEEE), 2014/35/EU (LVD)
Reference Standards	EN 50581:2012, EN 60309-1:1999, EN 60309-1:1999/A1:2007, EN 60309-1:1999/A1AC:2014, EN 60309-1:1999/A2:2012, EN 60309-2:1999, EN 60309-2:1999/A1:2007, EN 60309-2:1999/A2:2012, EN IEC 63000:2018

Mechanical characteristics

Manufacturing material	Technopolymer Recyclable Palazzoli
Alveolus/plugs treatment	-
Color	Grey RAL 7042
Tightening diameter	12 ÷ 19,5 mm
Execution	Mobile
IP Protection degree	IP44
Additional IPdegree protection	-
Shock resistance	IK08 according to IEC/EN 62262
Resistance to Glow wire	850°C
Flame rating according UL94	V-2
Terminals type	Screw - direct tightening
Conductors section	Min: 2.5 mm ² ;Max:
Terminal tightening torque	1,8 Nm
Net Weight	0.205 KG
Working Environment Temp.	Min: -25°C ;Max: +50°C
Warehousing Temperature	Min: -30°C ;Max: +70°C

The images are purely indicative. Palazzoli reserves the right to make changes without notice.