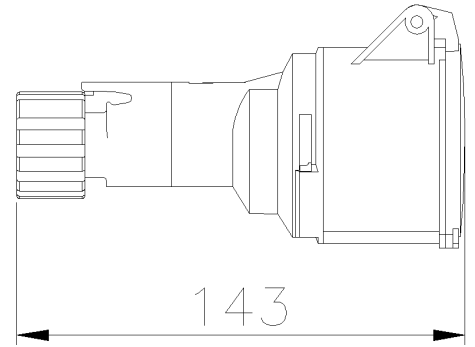




**SERIES MULTIMAX  
SOCKET OUTLET**  
CODE **720136**



## Datasheet

### Electrical characteristics

Rated current	16A
Supply Voltage	400V 50/60Hz ●
Poles	3P+ $\perp$
Clock Position	6h
Rated insulation voltage	690 V
Signal plug inserted	-

### Reference Standards and Directives

Certification and approval marks	CE, NYCE COLOMBIA, UKCA, IMQ, CB IMQ
Directives	2011/65/EU (RoHS), 2012/19/EU (WEEE), 2014/35/EU (LVD)
Reference Standards	EN 60309-1:1999, EN 60309-1:1999/A1:2007, EN 60309-1:1999/A1AC:2014, EN 60309-1:1999/A2:2012, EN 60309-2:1999, EN 60309-2:1999/A1:2007, EN 60309-2:1999/A2:2012, EN IEC 63000:2018

### Mechanical characteristics

Manufacturing material	Technopolymer Recyclable Palazzoli
Alveolus/plugs treatment	-
Color	Grey RAL 7042
Tightening diameter	8,5 ÷ 14 mm
Execution	Mobile
IP Protection degree	IP44
Additional IPdegree protection	-
Shock resistance	IK08 according to IEC/EN 62262
Resistance to Glow wire	850°C
Flame rating according UL94	V-2
Terminals type	Screw - direct tightening
Conductors section	Min: 1 mm <sup>2</sup> ;Max: 6 mm <sup>2</sup>
Terminal tightening torque	1,8 Nm
Net Weight	0.146 KG
Working Environment Temp.	Min: -25°C ;Max: +50°C
Warehousing Temperature	Min: -30°C ;Max: +70°C

The images are purely indicative. Palazzoli reserves the right to make changes without notice.